



CCS1



CCS2



Combo1
CCS1



Combo2
CCS2



DC Charging



Type 3R



Protected
from objects greater
than 1 mm and water jets

- Silver plating for electronic connectors
- User-friendly ergonomic design
- Built-in sensor for temperature monitoring
- DC Combo CCS with charging power up to 200 kW (1000V/200A)

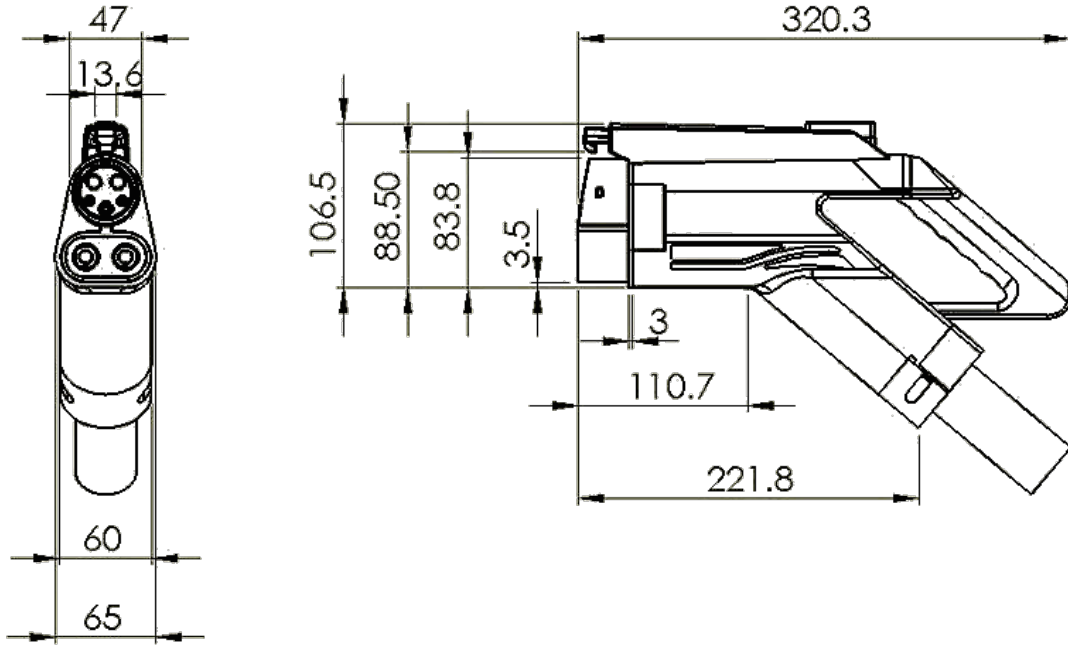


Charging Systems

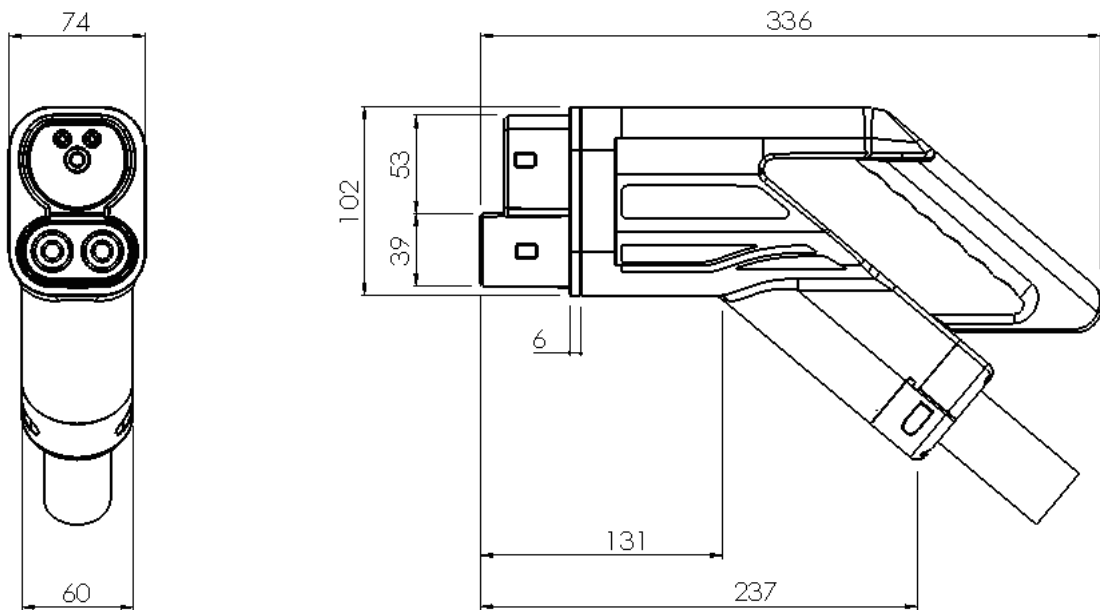
UL / IEC DC Charging Connectors

Dimensions

CCS1



CCS2



Charging Systems

UL / IEC DC Charging Connectors

Specifications	CCS1	CCS2
Insertion Force	<100N	<100N
Withdrawal Force	<100N	<100N
Mating Cycle	10000	10000
Degree of Protection	NEMA Type 3R	IP54
Operation Temperature	-30°C ~ 50°C	-30°C ~ 50°C
Storage Temperature	-40°C ~ 80°C	-40°C ~ 80°C
Max. Length	8M	8M
Safety Certification	UL62	IEC 62893-4-1
Cable Weight	2.5 kg/Meter	2.3 kg/Meter
Cable Structure	2Cx2/0AWG +1Cx6AWG +8Cx18AWG	2Cx70mm ² +1Cx35mm ² +6Cx0.75mm ²
Cable OD	40.0±1 mm	36.0±1 mm
Conductor Resistance Cable	≤0.00027Ω/m (Environmental Temperature at 20°C)	≤0.00027Ω/m (Environmental Temperature at 20°C)
Charging Current	DC	DC
Maximum Power Wattage	200kW	200kW
Temperature Monitoring	PT1000 x 2	PT1000 x 2
Power Pin Configuration	PE, DC+ & DC-	PE, DC+ & DC-
Rated Voltage	1000V DC	1000V DC
Rated Current	200A	200A
Signal Pin Configuration	CP & CS	CP & CS
Rated Voltage	30V	30V
Rated Current	2A	2A



Headquarters

BizLink Technology, Inc.

47211 Bayside Parkway, Fremont, CA 94538, USA
Phone +1 510 252 0786 sales@bizlinktech.com

Global Sales Contacts

USA sales@bizlinktech.com
Europe sales_europe@bizlinktech.com
China sales_gc@bizlinktech.com
India sales_india@bizlinktech.com

Japan sales_japan@bizlinktech.com
Malaysia sales_malaysia@bizlinktech.com
Taiwan sales_tw@bizlinktech.com