

DC Charging Coupler



CCS2



Combo2
CCS2



DC Charging



Protected
from objects greater
than 1 mm and water jets

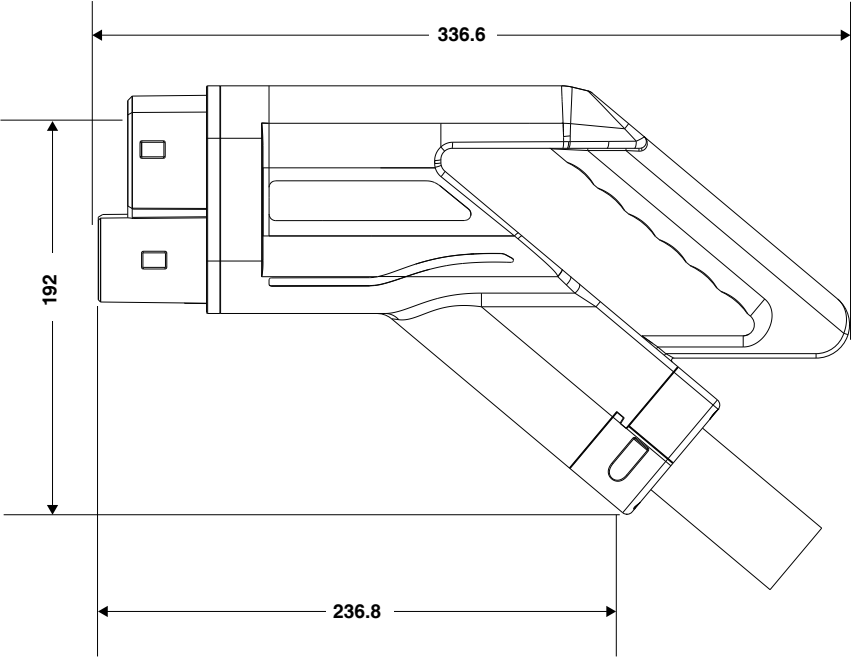
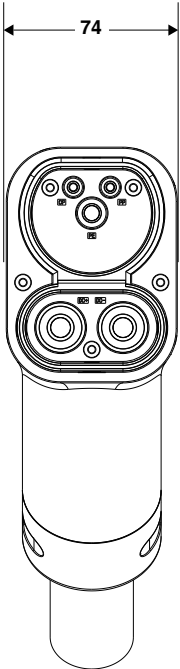
- Logo customization
- User-friendly ergonomic design
- Built-in sensors for temperature monitoring
- Silver plating for electronic connectors



DC Charging Coupler CCS Type 2

Dimensions

CCS2



CCS Coupler Model	CCS2
Operating Voltage UN DC	1000V DC
Current carrying capacity	200A
Environmental Protection	IP54
Operating Temperature	-30°C ~ +40°C
Storage Temperature	-40°C ~ +85°C
Mating Cycle	>10,000
Cable Length (Custom lengths available upon request)	8M
Cable Diameter	37mm
Temperature Sensor	PT1000 x 2
Conductor Resistance Cable	≤0.00027Ω/m (Environmental Temperature at 20°C)

Cable Color	Connection	COND.SIZE
Red	DC+	70 mm ²
Black	DC	70 mm ²
Green	PE	35 mm ²
White	CS	0.75 mm ²
Blue	CP	0.75 mm ²
Black	Thermal sensor T1	0.75 mm ²
Red	Thermal sensor T1	0.75 mm ²
Green	Thermal sensor T2	0.75 mm ²
Yellow	Thermal sensor T2	0.75 mm ²



Headquarters

BizLink Technology, Inc.

47211 Bayside Parkway, Fremont, CA 94538, USA
 Phone +1 510 252 0786 sales@bizlinktech.com

Global Sales Contacts

USA sales@bizlinktech.com
Europe sales_europe@bizlinktech.com
China sales_gc@bizlinktech.com
India sales_india@bizlinktech.com

Japan sales_japan@bizlinktech.com
Malaysia sales_malaysia@bizlinktech.com
Taiwan sales_tw@bizlinktech.com