



Key Features

- Low loss
- Excellent environmental and mechanical stability
- Offering compact mechanical packages

Applications

- Long-haul telecommunication
- Digital, hybrid and am-video system
- CATV systems and fiber optic sensor
- High speed local area network



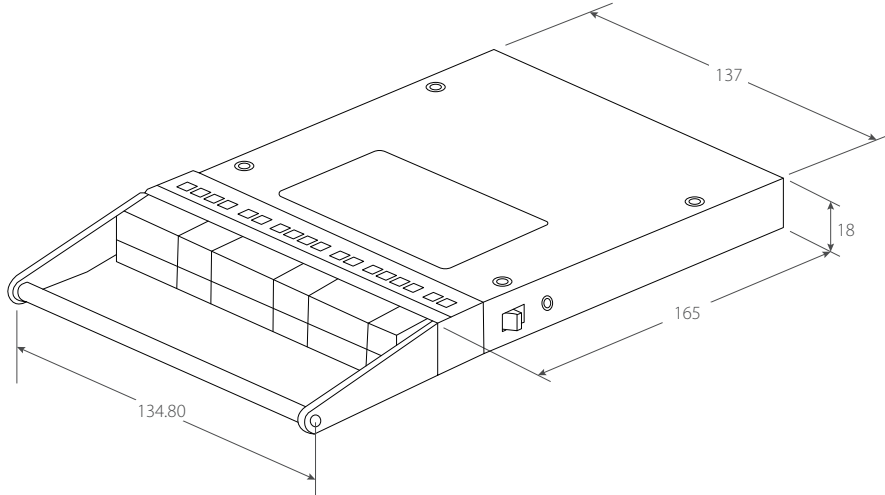
High-Density Module

High-Density Tap Monitor



A BizLink Group Company

Dimensions



Unit: mm

Parameter Specifications

Operating Wavelength	850nm	1310nm	1550nm
Directivity	≥35dB	≥55dB	≥55dB
Return Loss	≥30dB	≥50dB	≥50dB
Fiber Type	MM 50/125 OM3 Bare Fiber	Corning SMF-28e+	Corning SMF-28e+
Configuration		24*tap WDM+MTP	
Optical ratio		50:50	
Translation Loss (X/Y Port)		≤4.25dB	
Reflection Loss (TAP X/ TAP Y Port)		≤4.25dB	
Connector and Adapter Type		12-cord MTP/UPC (with pin-male)	

Note:
The above parameters do not include a connector, which is less than 0.2dB for a pair of connector.

Operating Conditions

Maximum Power handling	500mW
Operating Temperature	-5°C ~ +70°C
Storage Temperature	-20°C ~ +85°C



www.bizlinktech.com

OptiWorks, Inc.

47211 Bayside Parkway, Fremont, CA 94538, USA
Phone +1 510 438 4560
sales@optiworks.com

OptiWorks (Kunshan) Co., Ltd.

No. 168, Nanhe Rd., Kunshan Economic & Technology Development Zone, Kunshan City, Jiangsu 215300, China
Phone +86 512 5763 0863
contact@optiworks.com

OptiWorks (Shanghai) Co., Ltd.

Room 810-811, Changchun Business Building, No. 953 Qinzhou North Road, Shanghai 200233, China
Phone +86 021 6485 8787
contact@optiworks.com

© 2020 BizLink Group. All rights reserved.
BizLink, OptiWorks, and other trademarks are the trademarks of BizLink Group or its subsidiaries.
Specifications are subject to change without prior notice. February 2020