

Key Features

- Fast Switching Speed
- Low Insertion Loss
- Wide Wavelength Range
- Low Optical Return Loss
- Low Cross Talk

Applications

- Configurable Add/Drop
- Network Route Protection
- Laboratory R&D



Optical Switch/ VOA

Quad 2x2 Optical Switch

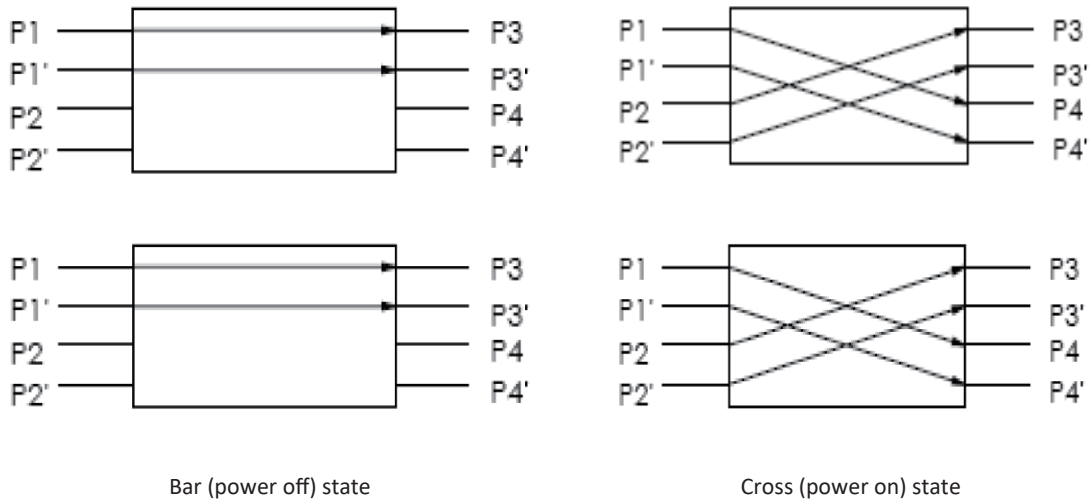
Parameter Specifications: Optical Switch

Parameters	Performance Specifications	Units
Wavelength Range	1310 +/-20	nm
Operating Wavelength	1310	nm
Switching Time	≤7.5	ms
Insertion Loss (@ 25 oC)	≤1.2	dB
Cross Talk	≥50	dB
Repeatability	≤±0.05	dB
Optical Return Loss	≥50	dB
Input Optic Power	≤500	mW
Lifetime	≥10 ⁷	
Fiber Type	SMF-28e ⁺	
Connector Type	FC, SC, LC (customer optional)	
Switch Type	Non- Latching	
Operating Temperature	-20 ~ +70	°C
Storage Temperature	-40 ~ +85	°C
Switching Voltage	4.5 ~ 5.5	V
Switching Current	<120	mA
Dimension	19.2 × 21.5 × 14.5	mm

Notes:

1. All data are measured with connectors.

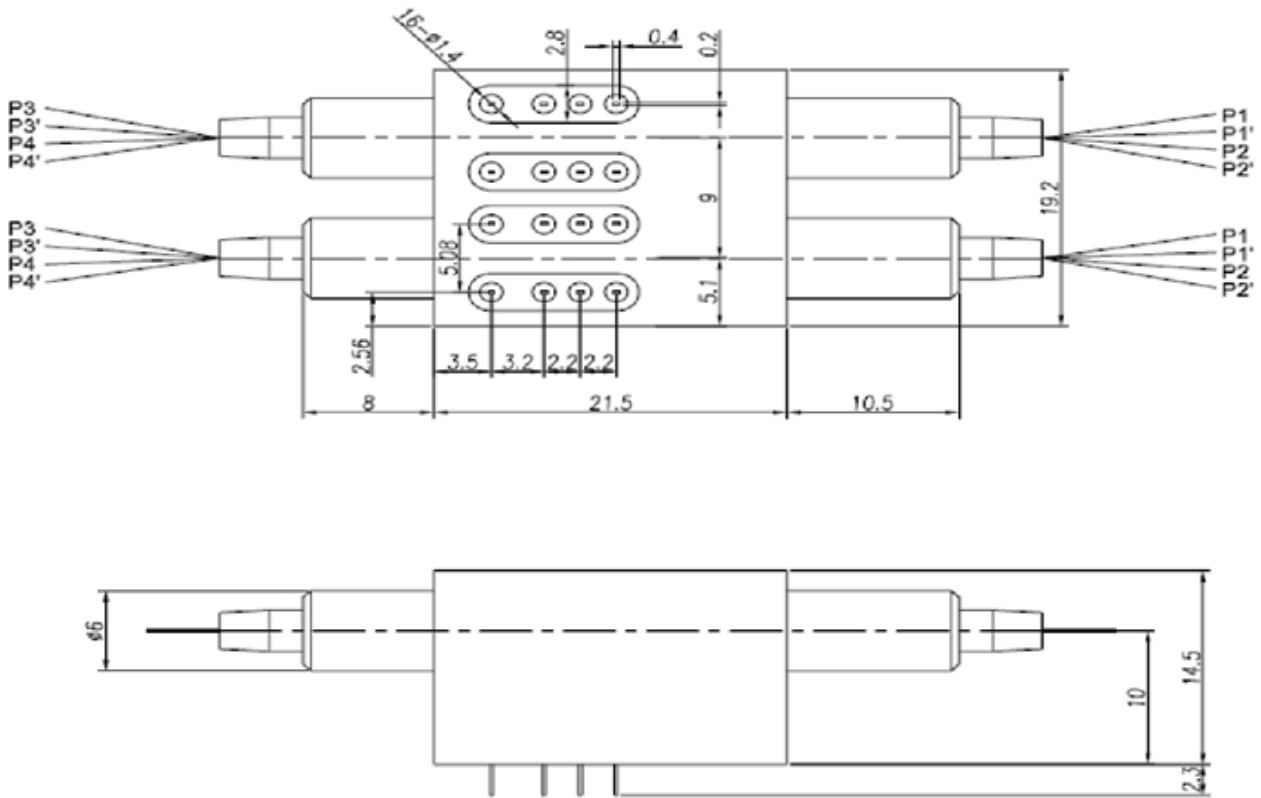
Light Path



Optical Switch/ VOA

Quad 2x2 Optical Switch

Mechanical Dimensions



Unit: mm

Pin Configuration

Parameters	Pins	Electric Drive		Status Sensor			
		1	8	2-3	3-4	5-6	6-7
2x2 Bypass	Optical Path						
	P1-P3 \ P1'-P3'			Close	Open	Open	Close
Non-latching	P1-P4 \ P2-P3	V+	GND	Open	Close	Close	Open
	P1'-P4' \ P2'-P3'	V+	GND	Open	Close	Close	Open

Optical Switch/ VOA
Quad 2x2 Optical Switch



Part Number Scheme: Optical Switch

S	W	T									N			
---	---	---	--	--	--	--	--	--	--	--	---	--	--	--

Latching Type

L = Latching
 N = No Latching

Configuration

11 = 1x1
 12 = 1x2
 22 = 2x2
 14 = 1x4
 18 = 1x8
 1A = 1X12

Module Density

S = Single
 D = Dual
 Q = Quad
 O = Octo

Switch Type

B = Bypass
 F = Full

Fiber Type

1 = SMF-28e+
 2 = XB, G657.A1
 3 = OM3
 4 = OM4
 5 = OM5

Jacket Type

A = 250 um
 B = 900 um
 C = 2 mm
 D = 3 mm

Fiber Length

10 = 1.0 m
 15 = 1.5 m
 30 = 3.0 m
 mn = m.n meters

Wavelength

A = 1290-1330 nm
 B = 1525-1575 nm
 C = 1525-1610 nm
 I = 1290-1330 nm & 1525-1610 nm
 K = 840-860 nm

Connector Type

0 = None
 2 = FC/UPC
 3 = FC/APC
 4 = SC/UPC
 5 = SC/APC
 6 = ST/UPC
 7 = LC/UPC
 8 = LC/APC
 M = MTP 12P
 N = MTP 24P
 O = MPO 12P
 P = MPO 24P
 H = MU/UPC

OptiWorks Headquarters

OptiWorks, Inc.

47211 Bayside Parkway, Fremont, CA 94538, USA
 Phone +1 510 438 4560
 sales@optiworks.com
 www.optiworks.com

OptiWorks (Kunshan) Co., Ltd.

Phone +86 512 5763 0880
 sales_china@optiworks.com

OptiWorks (Shanghai) Co., Ltd.

Phone +86 021 6485 8787
 sales_china@optiworks.com

BizLink International Corp.

Phone +886 2 8226 1000
 sales_tw@bizlinktech.com