



IEC 62196



Waterproof



Dustproof



AC Mode



Wide Range
Temperature

- Europe industry-standard vehicle connector for convenient charging of Electric Vehicles (EV) and Electric Vehicles Supply Equipment (EVSE)
- Charge coupler compliant with IEC 62196-2
- Designed for AC, 3 charging mode options: 16A, 32A & 63A
- Mechanical lifespan, over 10,000 mating cycles
- Custom cable lengths and colors available
- Ergonomic design and impact resistant
- Cable strain relief feature



Charge Coupler

IEC 62196-2 Type 2

Applications

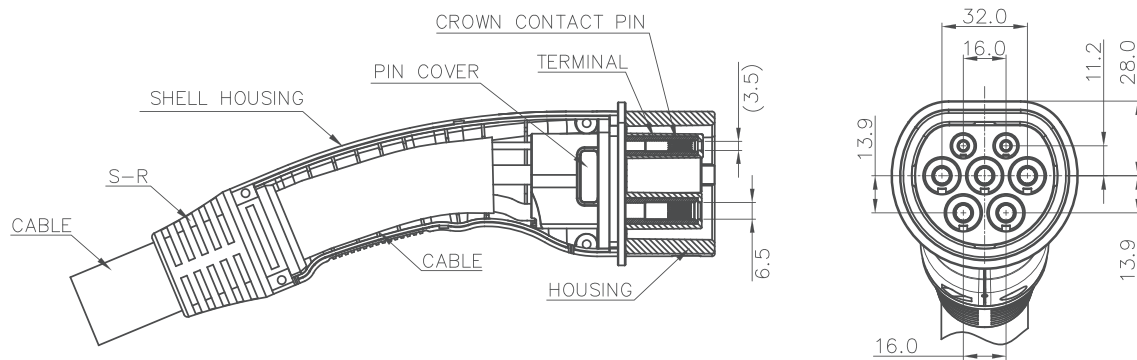


Public Charging Unit Application



Electric Vehicle Charging Solution

Dimensions



Specifications

Nominal Supply Voltage	240VAC/415VAC
Maximum Continuous Current	Max. 16A / 32A / 63A



Headquarters

BizLink Technology, Inc.

47211 Bayside Parkway, Fremont, CA 94538, USA
 Phone +1 510 252 0786 sales@bizlinktech.com

Global Sales Contacts

USA sales@bizlinktech.com
Europe sales_europe@bizlinktech.com
China sales_gc@bizlinktech.com
India sales_india@bizlinktech.com

Japan sales_japan@bizlinktech.com
Malaysia sales_malaysia@bizlinktech.com
Taiwan sales_tw@bizlinktech.com